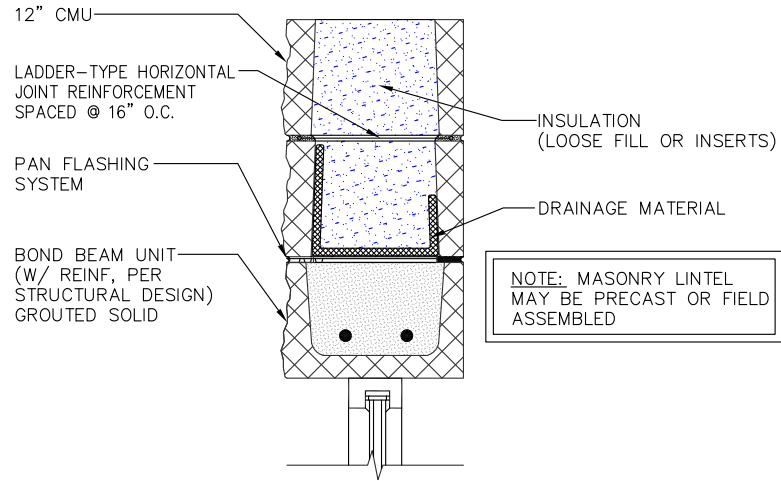
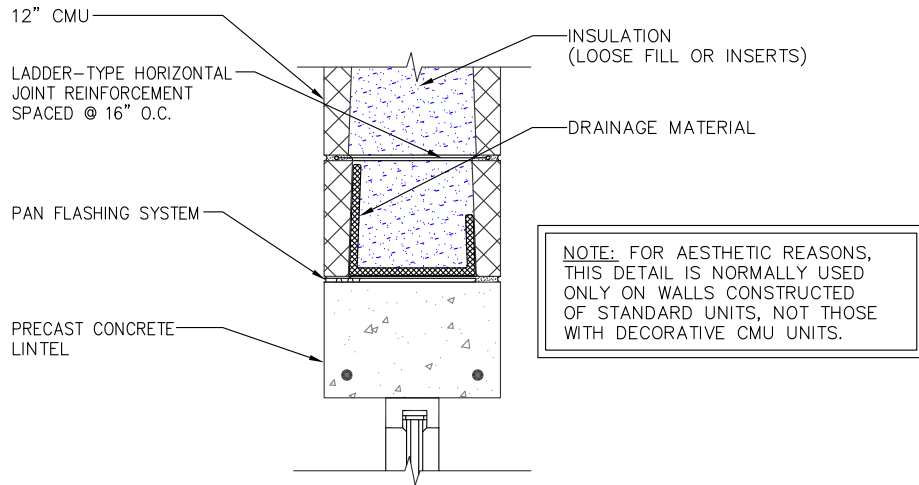


NOTES:

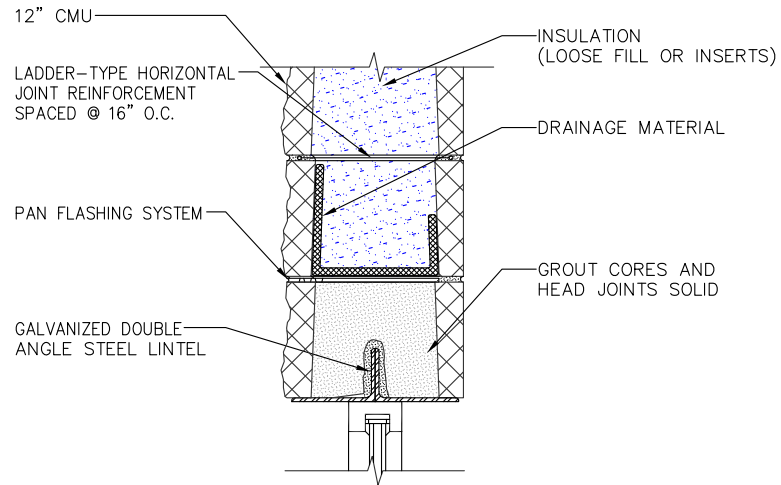
- 1) CONTINUE PAN FLASHING SYSTEM A MINIMUM OF ONE CELL BEYOND BOTH JAMB EDGES OF THE OPENING.
- 2) UNPROTECTED ALUMINUM DOOR AND WINDOW FRAMES CAN INTERACT WITH CEMENT-BASED MATERIALS AND INCUR DAMAGE. SEE PCA "MASONRY TODAY" VOLUME II, No. 1 FOR RECOMMENDATIONS. (www.cement.org/masonry/cc_al_frames.asp)



3A MASONRY LINTEL (PREFERRED)
A-1



3C PRECAST CONCRETE LINTEL
A-1



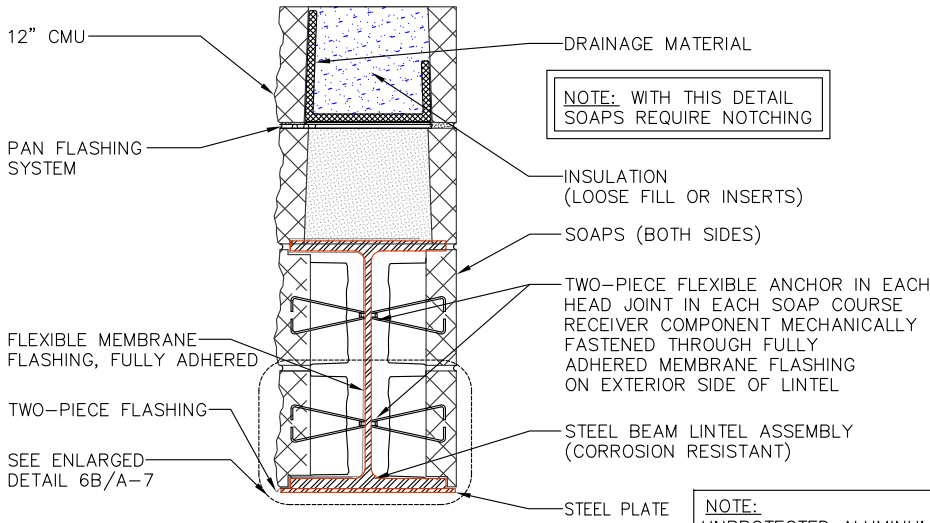
3B DOUBLE ANGLE STEEL LINTEL
A-1

SHORT SPAN LINTELS



IN CHARGE:	
DRAWN:	M.W.F.
APPROVED:	
DATE:	05/03/2011
TITLE:	SHORT SPAN LINTEL DETAILS
SHEET:	A-4

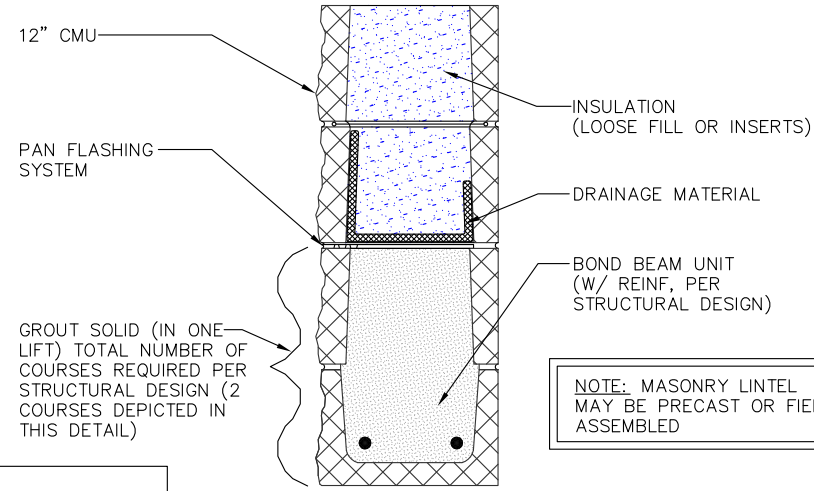
The decision to utilize this information is not within the purview of the MIM, and persons making use of this information do so at their own risk. MIM makes no representation or warranties, expressed or implied, with respect to the accuracy or suitability of this information. MIM and its members disclaim liability for damages of any kind, including any special, indirect, incidental, or consequential damages, which may result from the use of this information. This information is not to be interpreted as indicating compliance with, or waiver of, any provision of any applicable building code, ordinance, standard or law.



NOTE: WITH THIS DETAIL SOAPS REQUIRE NOTCHING

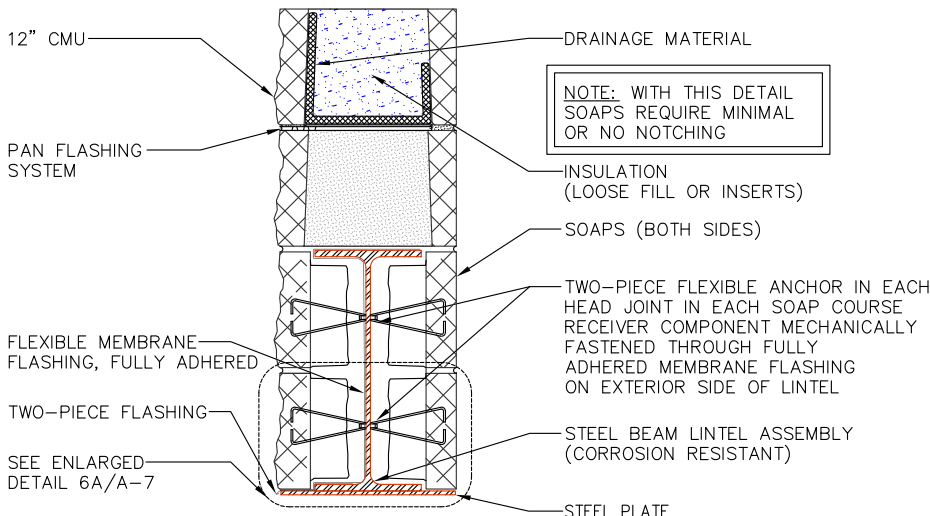
NOTE: UNPROTECTED ALUMINUM DOOR AND WINDOW FRAMES CAN INTERACT WITH CEMENT-BASED MATERIALS AND INCUR DAMAGE. SEE PCA "MASONRY TODAY" VOLUME II, No. 1 FOR RECOMMENDATIONS. (www.cement.org/masonry/cc_al_frames.asp)

4D
A-1
WIDE FLANGE
16" STEEL LINTEL
(W16 SERIES)



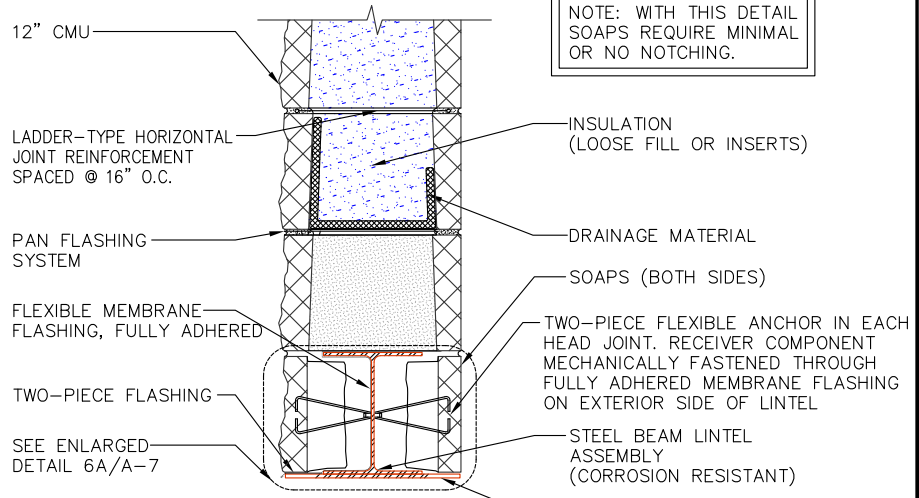
NOTE: MASONRY LINTEL MAY BE PRECAST OR FIELD ASSEMBLED

4A
A-1
MASONRY LINTEL (PREFERRED)
(W16 SERIES)



NOTE: WITH THIS DETAIL SOAPS REQUIRE MINIMAL OR NO NOTCHING

4C
A-1
NARROW FLANGE
16" STEEL LINTEL



NOTE: WITH THIS DETAIL SOAPS REQUIRE MINIMAL OR NO NOTCHING.

4B
A-1
8" STEEL LINTEL
(W8 SERIES)

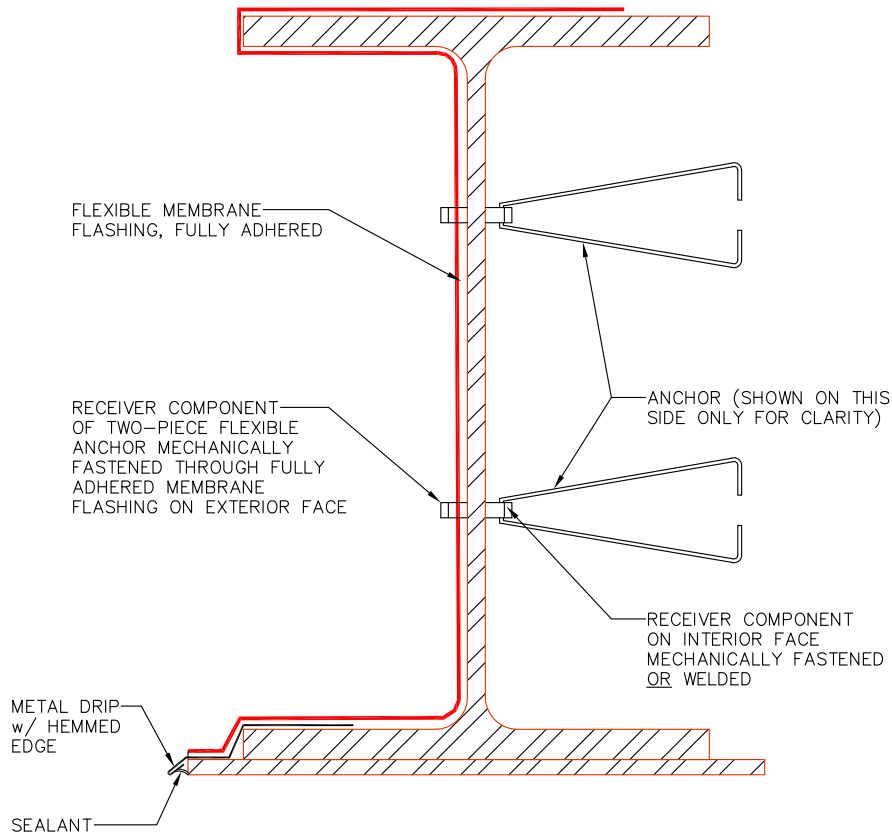
LONG SPAN LINTELS

IN CHARGE:	
DRAWN:	M.W.F.
APPROVED:	
DATE:	05/03/2011
TITLE:	LONG SPAN LINTEL DETAILS
SHEET:	A-5

The decision to utilize this information is not within the purview of the MIM, and persons making use of this information do so at their own risk. MIM makes no representation or warranties, expressed or implied, with respect to the accuracy or suitability of this information. MIM and its members disclaim liability for damages of any kind, including any special, indirect, incidental, or consequential damages, which may result from the use of this information. This information is not to be interpreted as indicating compliance with, or waiver of, any provision of any applicable building code, ordinance, standard or law.

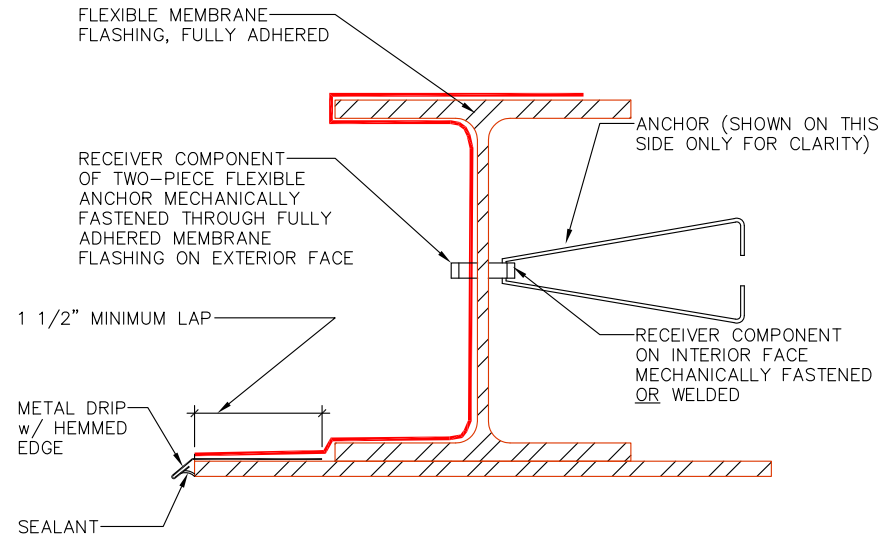
NOTE: THIS DETAIL PERTAINS TO STEEL LINTELS W/ FLANGE WIDTHS APPROXIMATELY 10". FOR NARROW FLANGE WIDTHS, SEE DETAIL 6A.

(CMU NOT SHOWN FOR CLARITY)

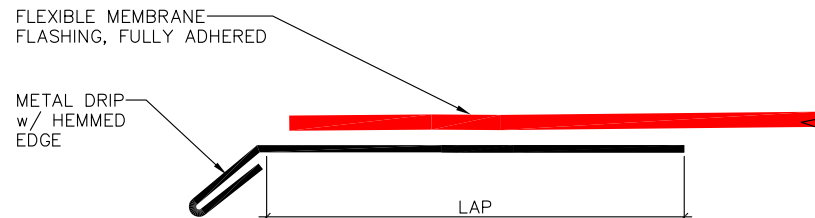


6B ENLARGED FLASHING DETAIL AT WIDE FLANGE STEEL LINTELS
A-5

(CMU NOT SHOWN FOR CLARITY)



6A ENLARGED FLASHING DETAIL AT NARROW FLANGE STEEL LINTELS
A-5



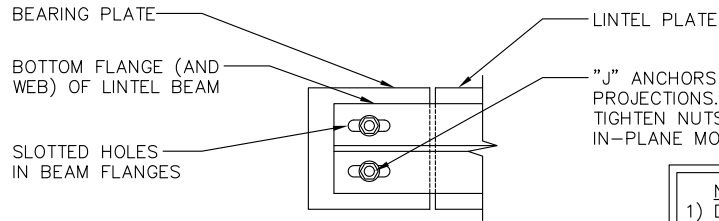
6C ENLARGED TWO-PIECE FLASHING DETAIL
A-5

DAILY ENGINEERING, INC.
8485 STEPHENSON ROAD
ANN ARBOR, MI 48106
PH. # (517) 467-9000
FAX # (517) 467-9010

the **Masonry Institute of Michigan, Inc.**
GENERIC WALL DESIGN - 12" SINGLE WYTHE CMU

IN CHARGE:	
DRAWN:	M.W.F.
APPROVED:	
DATE:	05/03/2011
TITLE:	TWO-PIECE FLASHING DETAILS
SHEET:	A-7

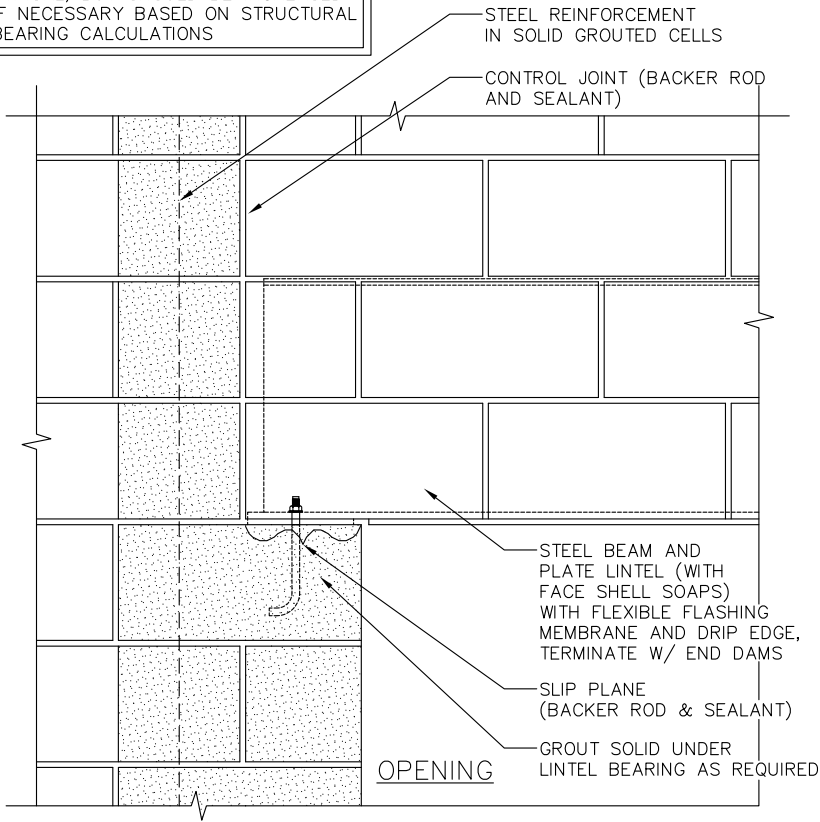
The decision to utilize this information is not within the purview of the MIM, and persons making use of this information do so at their own risk. MIM makes no representation or warranties, expressed or implied, with respect to the accuracy or suitability of this information. MIM and its members disclaim liability for damages of any kind, including any special, indirect, incidental, or consequential damages, which may result from the use of this information. This information is not to be interpreted as indicating compliance with, or waiver of, any provision of any applicable building code, ordinance, standard or law.



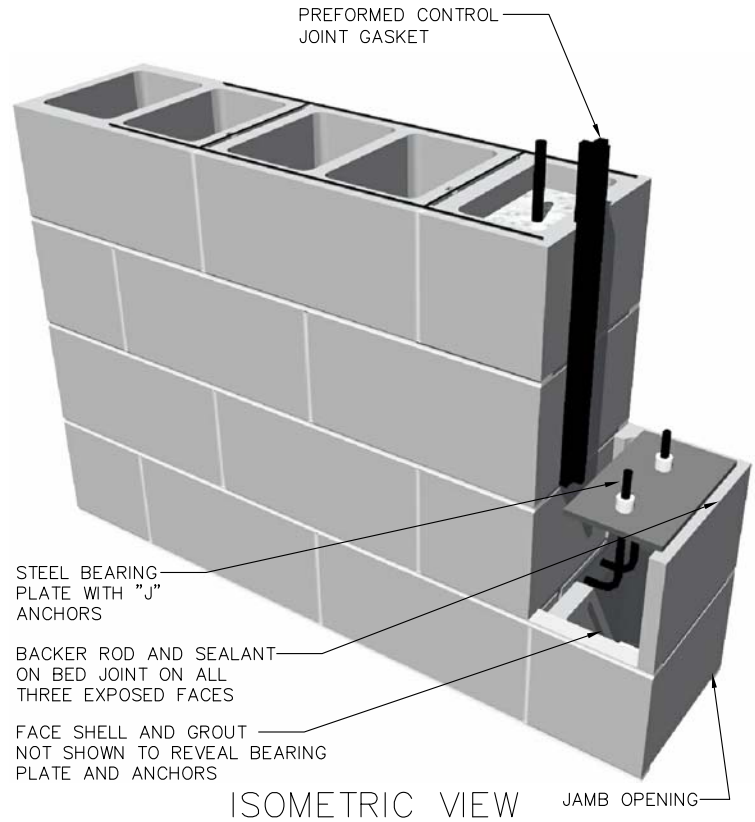
PLAN OF LINTEL/BEARING PLATE

- NOTES:
- 1) DO NOT WELD STEEL BEAM PLATE LINTEL TO BEARING PLATE (TYPICAL BOTH SIDES).
 - 2) STEEL BEAM TO HAVE SLOTS ON BOTTOM FLANGES TO ALLOW FOR IN-PLANE MOVEMENT.

NOTE: 8" BEARING IS SHOWN AND IS TYPICAL, BUT SHOULD BE INCREASED IF NECESSARY BASED ON STRUCTURAL BEARING CALCULATIONS



ELEVATION VIEW



ISOMETRIC VIEW

SLIP PLANE/CONTROL JOINT @ LONG SPAN STEEL LINTELS

10
A-11

IN CHARGE:	
DRAWN:	M.W.F.
APPROVED:	
DATE:	05/03/2011
TITLE:	SLIP PLANE/ CONTROL JOINT @ STEEL LINTELS
SHEET:	A-11

The decision to utilize this information is not within the purview of the MIM, and persons making use of this information do so at their own risk. MIM makes no representation or warranties, expressed or implied, with respect to the accuracy or suitability of this information. MIM and its members disclaim liability for damages of any kind, including any special, indirect, incidental, or consequential damages, which may result from the use of this information. This information is not to be interpreted as indicating compliance with, or waiver of, any provision of any applicable building code, ordinance, standard or law.